

Type AVC

Customised high-pressure control valve
with special dual valve combination of the throttle body



> Type AVC, front view



> Type AVC, sectional view

Product features

- Two valves in one: the start-up valve and the full load valve combined in a single valve
- Screwed-on housing cover
- The AVC valve uses two throttle bodies on one stem and opens up a much wider range of application of 1:500
- For the best handling of difficult operating conditions with extremely high demands on adjustability and high-quality pressure control

Applications

- Start-up control and main boiler feed control

Type AVC

Customised high-pressure control valve
with special dual valve combination of the throttle body

Technical data

Nominal diameter	DN 50–500 / NPS 2–20
Pressure class	PN 100–640/Class 150 –4500
Temperature (max.)	280 °C / 536 °F
Housing material	1.0460 / A105 1.5415 1.7335 / A182F12Cl.2 1.7383 / A182F22Cl.3 1.4903 / A182F91 1.6368 1.4404 / A182F316L
Housing type	Forged
Medium	Water
Flanges	EN 1092-1, ASME B16.5, ISO 7005, JIS, JPI, welding ends on request
Actuators	Electric, pneumatic, hydraulic
Designs	Angle type, globe type
Number of stages (max.)	7 + 1
Number of controlled stages (max.)	7 + 1
Operating range (max.)	1:500

Type AVC

Customised high-pressure control valve
with special dual valve combination of the throttle body

Function

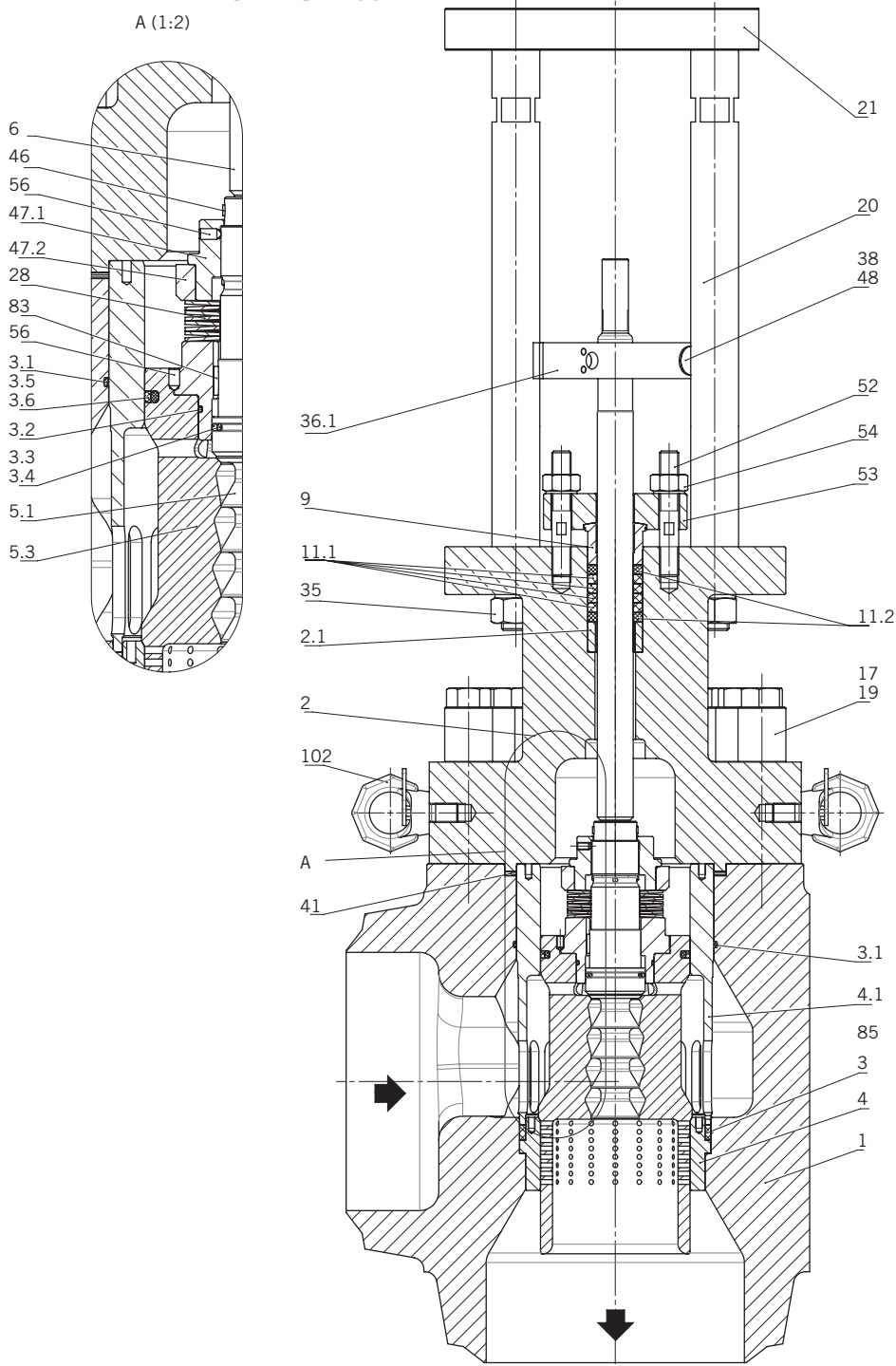
AVC combination valves with internal fittings consisting of axial throttling stages and perforated basket fittings.

Combination valve consisting of a multi-stage high-pressure reducing unit for start-up or low load and a single-stage or multi-stage main control unit. Combining these two valve units in one valve achieves an extremely wide rangeability that was previously only possible with two separate valves. This special solution also replaces the previously customary boiler control operation using two separate valves with a main valve and a start-up valve.

Type AVC

Customised high-pressure control valve with special dual valve combination of the throttle body

Sectional drawing (angle type)

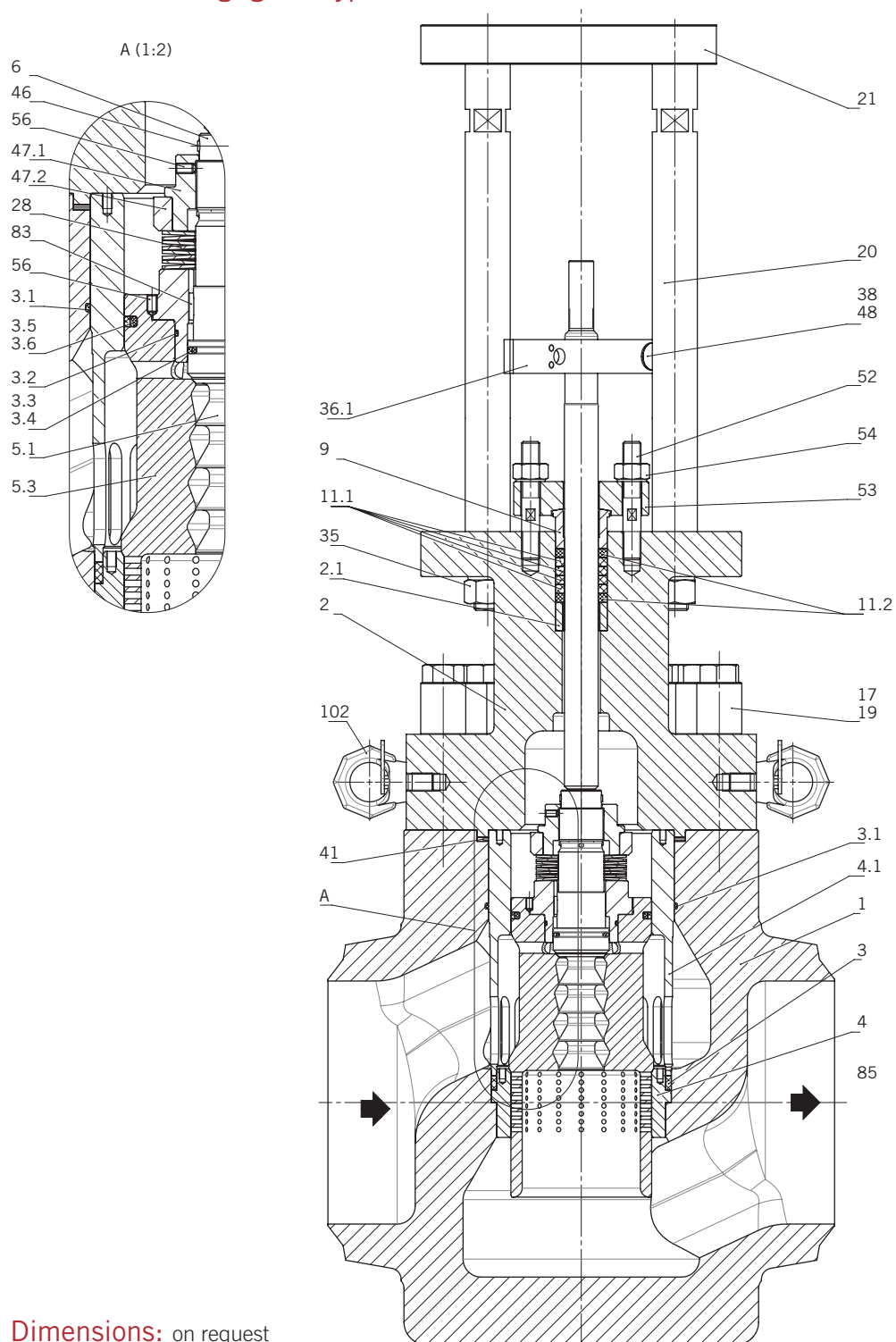


Dimensions: on request

Type AVC

Customised high-pressure control valve
with special dual valve combination of the throttle body

Sectional drawing (globe type)



Dimensions: on request

Type AVC

Customised high-pressure control valve
with special dual valve combination of the throttle body

Parts list (angle type, globe type)

Pos.	Item	Material
1	Housing cpl.	*
1.1	Housing	*
1.2	Pipe	*
2	Cap	*
2.1	Bushing	1.4404
3	Profile ring	Grafit
3.1	O-Ring	**
3.2	O-Ring	**
3.3	O-Ring	**
3.4	Glyd ring	**
3.5	O-Ring	**
3.6	Glyd ring	**
4	Seat bushing	1.4122
4.1	Bushing	1.4122
5.1	Pilot plug	1.4122
5.3	Valve plug	1.4122
5.4	Threaded ring	1.4122
6	Valve spindle	1.4057
9	Packing follower	1.4122
11.1	Packing	PTFE
11.2	Packing	PTFE/Grafit
17	Capped nut	**
19	Stud bolt	**
20	Spacer bolt	1.7709
21	Flange	1.0460/A105
28	Washer	1.4404
35	Hexagon nut	1.7218
36.1	Bridge	1.4571
38	Socket head screw	8.8
41	Spiral gasket	1.4541/Grafit
46	Pin	1.4301
47.1	Threaded ring	1.4122
47.2	Pressure disc	1.4122
48	Lock washer	1.8159
52	Stud bolt	**
53	Gland plate	*
54	Hexagon nut	**
56	Threaded pin	A4
83	Parallel key	1.0540
102	Ring bolt	1.6541

* See table "Technical data"

** Depending on customer requirements

Parts list as an example of the standard configuration