



Shut off valve

A210-CS, A220-CS, A230 and A240

Application and function

The shut-off valves are used to safely shut off level indicators from the tank/steam boiler.

The application range of the shut-off valves extends over the entire product range of reflective, transparent and bicolour indicators in the pressure range up to PS 200 bar.

Double shut-off valves are operated by a quick-action spindle with hand lever as well as by a normal spindle with hand wheel.

The valve is always equipped with a ball self-closing safety function.

basic equipment

- Valve housing made of pressure vessel steel, material according to DIN and ASME
- Internal valve parts made of stainless steel
- With ball self-closing safety function
- With back seal to relieve the stuffing box packing
- Aluminium handle with quick-closing spindle (1/3 turn)
- Steel handwheel with normal spindle
- Listed process connections according to DIN or ASME.

Optional Versions

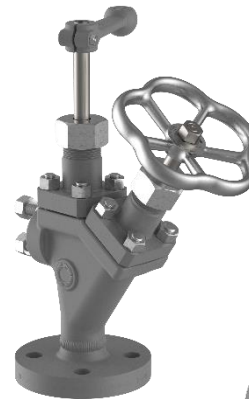
- Customised process connections
- Chain wheel for remote operation



A210-CS



A220-CS



A230

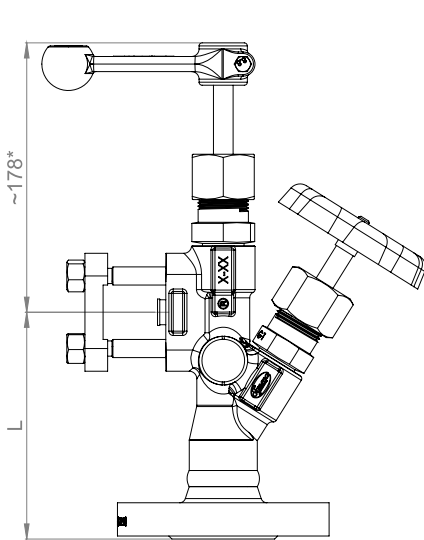


A240

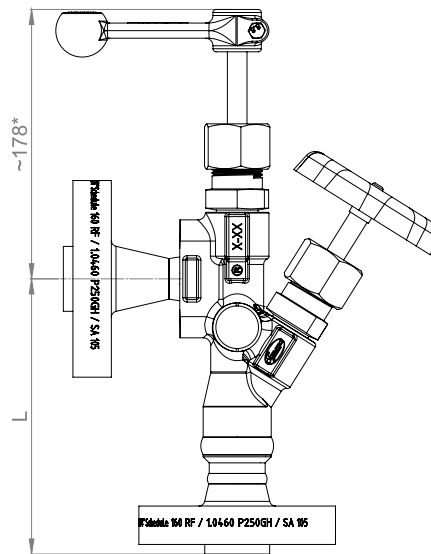
Technical data

Operating limits A210-CS/ A220-CS	Perm. Pressure [PS]	Perm. Temperature [PS]
	120bar 1740 psig	326°C 618°F
Operating limits A230 / A240	Perm. Pressure [PS]	Perm. Temperature [PS]
	200bar 2900 psig	367°C 692°F

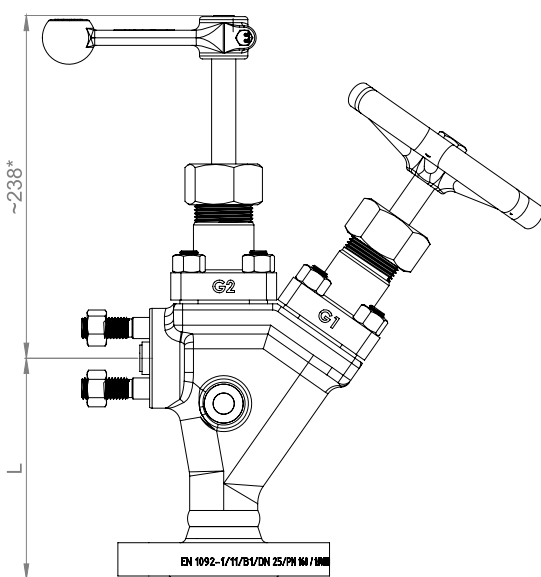
Dimensions and sizes



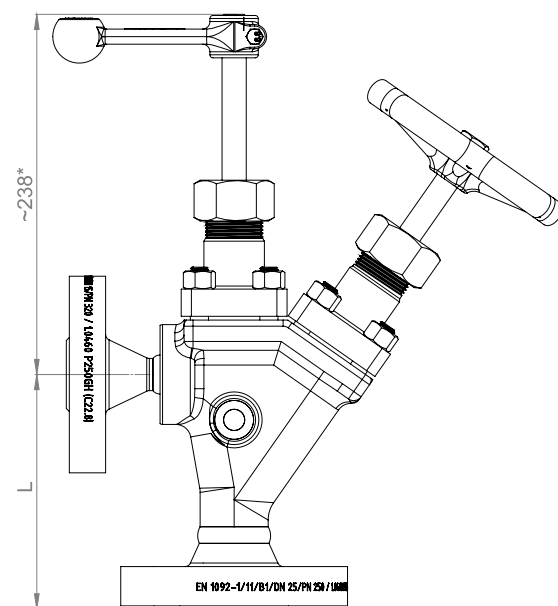
Double shut off valve - A210-CS



Double shut off valve - A220-CS



Double shut off valve - A230



Double shut off valve - A240

Length-L can be found on the next page.

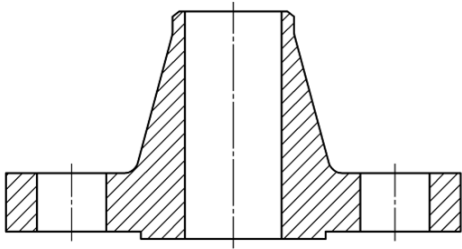
*Dimension differs for other versions

Available dimensions

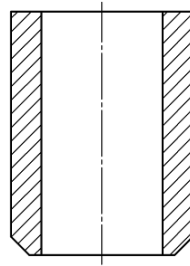
	Type	Process connection	Side connection	L		Article No.
				[mm]	[inch]	
DIN	A210-CS	Flange EN 1092-1 PN40 DN20	M12 x 48	164	6 1/2	15-18590
	A210-CS	Flange EN 1092-1 PN160 DN25	M12 x 48	150	6	15-18465
	A220-CS	Flange EN 1092-1 PN160 DN25	Flange EN 1092-1 PN160 DN15	150	6	15-18567
	A230	Flange EN 1092-1 PN160 DN25	M14 x 40	146	5 3/4	15-00140
	A240	Flange EN 1092-1 PN250 DN25	Flange EN 1092-1 PN320 DN15	155	6 1/9	15-06733
	A210-CS	Welding end DIN EN 10253-2 EN-Reihe 3 Ø33,7x3,2	M12 x 48	154	6	15-18525
	A220-CS	Welding end DIN EN 10253-2 EN-Reihe 3 Ø33,7x3,2	Flange EN 1092-1 PN160 DN15	154	6	15-18594
	A220-CS	Welding end DIN EN 10253-2 EN-Reihe 5 Ø33,7x4,5	Flange EN 1092-1 PN160 DN15	154	6	15-18599
	A230	Welding end DIN EN 10253-2 EN-Reihe 3 Ø33,7x3,6	M14 x 40	150	6	15-03389
	A240	Welding end DIN EN 10253-2 EN-Reihe 6 Ø60,3x5,6	Flange EN 1092-1 PN320 DN15	167	6 4/7	15-12836
ASME	A210-CS	Flange B16.5 NPS 3/4" Class 300	M12 x 48	153	6	15-18233
	A210-CS	Flange B16.5 NPS 1" Class 600	M12 x 48	158	6 2/9	15-18523
	A230	Flange B16.5 NPS 1" Class 1500	M14 x 40	161	6 1/3	15-17276
	A240	Flange B16.5 NPS 1" Class 1500	Flange B16.5 NPS 3/4" Class 1500	161	6 1/3	15-10225

Other process connections are possible on request.

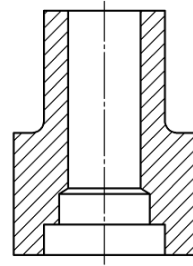
Process connection versions



Flange




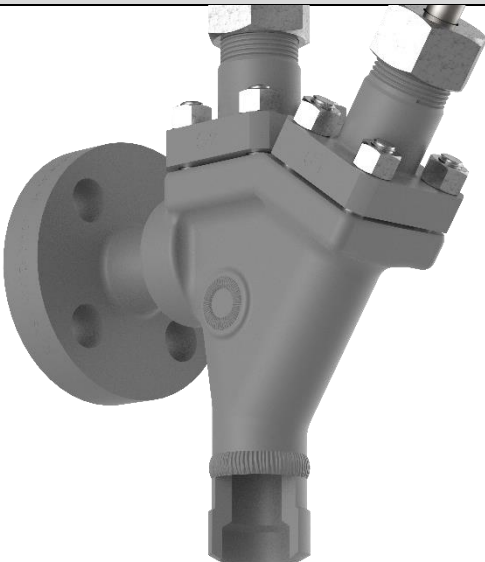
Welding end



Socket welding

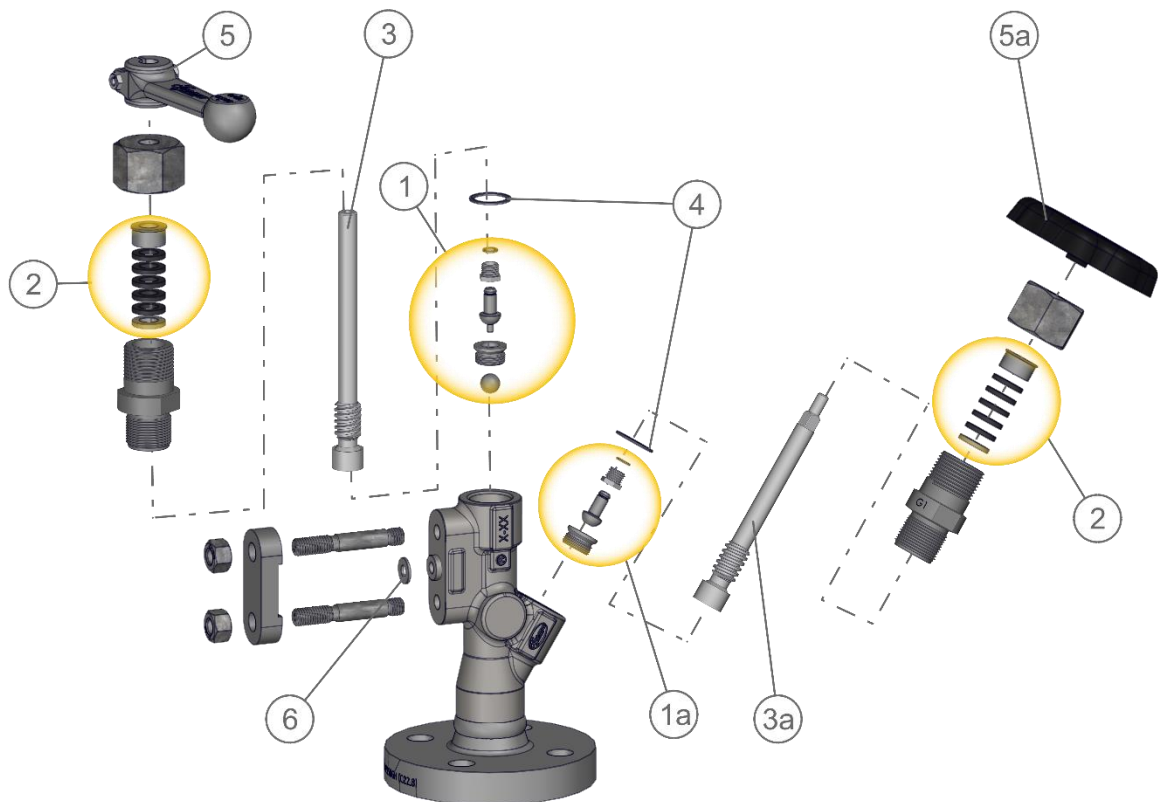
All connection variants are available according to DIN or ASME standard

Optional versions

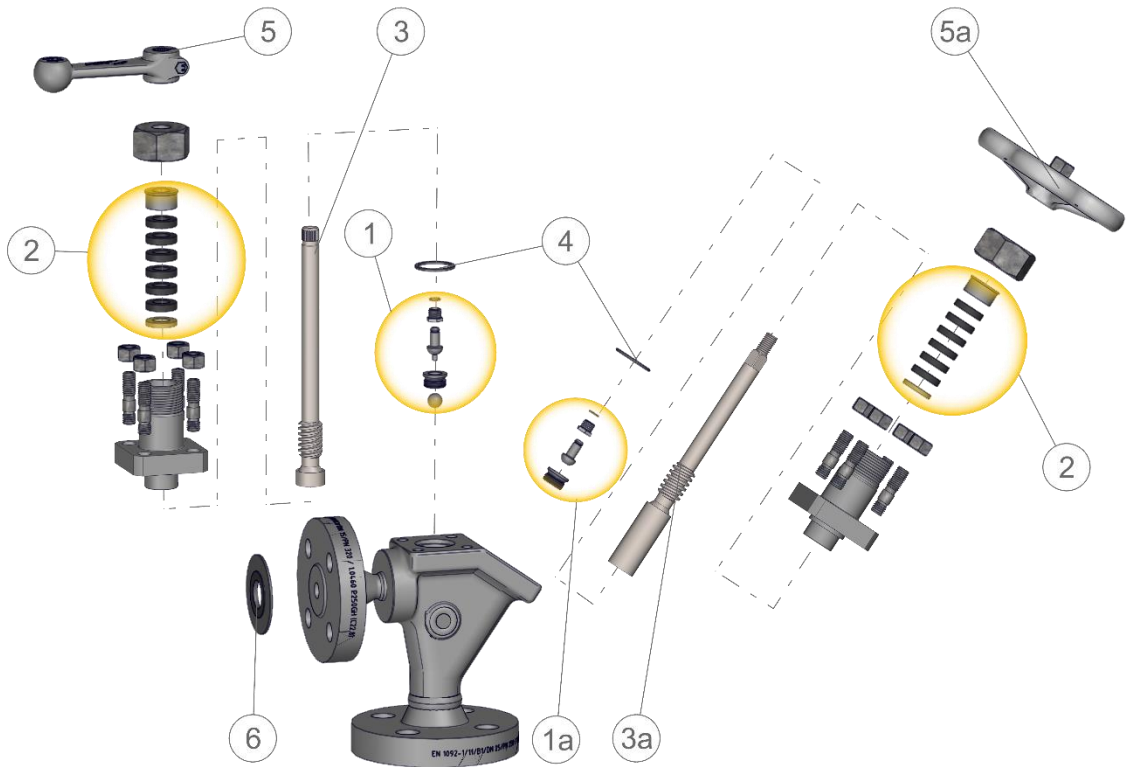
Examples of the optional versions	
Chain wheel for remote control	with socket welding
 <p>Ex.: A240 with chain wheel</p>	 <p>Ex.: A240 with socket welding</p>

Spare parts

Pos.	Description	Article No.	Quantity
Spare parts list for shut-off valves A210-CS and A220-CS			
1	Cone set, seat and ball	15-00115	1
1a	Cone set and seat	15-00114	1
2	Packing	15-00113	2
3	Quick-locking spindle	25-00126	1
3a	Spindle	25-00652	1
4	Sealing ring	40-00117	2
5	Handle set	15-00338	1
5a	Hand wheel set	15-00237	1
6	Sealing ring	40-00109	1



Spare parts list for shut-off valves A230 und A240				
1	Cone set, seat and ball		15-00115	1
1a	Cone set and seat		15-00114	1
2	Packing		15-00112	2
3	Quick-locking spindle		25-00654	1
3a	Spindle		25-00653	1
4	Sealing ring		40-00119	2
5	Handle set		15-00324	1
5a	Hand wheel set		15-00419	1
6	Sealing ring	80- 200bar	40-00112	1
	Comb profile gasket (A240)	80- 100bar	40-00206	1
		160- 200bar	40-00207	1





Direct download



Product page on the Internet

Igema GmbH

Antwerpener Str. 1
48163 Muenster
Germany

www.igema.com

Telephone: +49 25 01 924 24 0
Telefax: +49 25 01 924 24 99
info@igema.com

