



## Drain valve

AV500 and AV520

### Application and function

The drain valves are used on pressure vessels and steam boilers to drain or vent the attached pressurised equipment. The range of applications covers the entire product range of level indicators and other pressurised components with a drain connection.

The valves can either be closed or opened by turning the handwheel.

### Technical basic equipment

- Inlet side: male thread G 1/2"
- Outlet side: Cutting ring fitting DS12
- Valve body for AV500 and AV520 made of pressure vessel steel according to DIN or ASME
- Valve inner parts made of stainless steel
- Steel handwheel Ø80mm (up to PS = 32 bar)
- Aluminium handwheel Ø110mm (up to PS = 200 bar)

### Optional versions

- Customised inlet and outlet connections
- Valve body for AV505 and AV525 made of stainless steel according to DIN or ASME
- Valve body tested according to EN 10204 - 3.1



AV 500



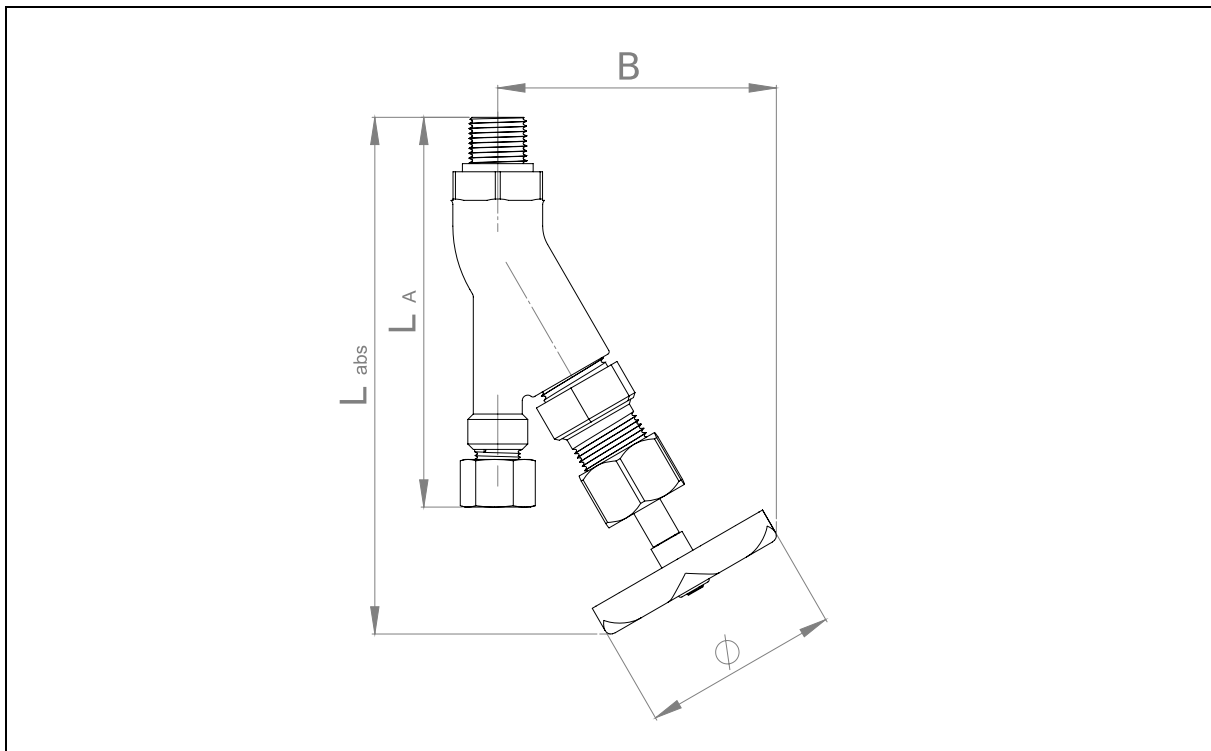
AV 520

## Technical data

Operating limits AV500 / AV505	perm. Pressure [PS]	perm. temperature [TS]
	32 bar 464 psig	239 °C 458 °F

Operating limits AV520 / AV525	perm. Pressure [PS]	perm. temperature [TS]
	200 bar 2900 psig	367 °C 690 °F

## Dimensions and sizes

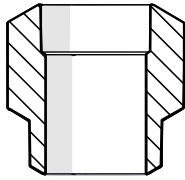


		up to 32 bar / 464 psig (AV500 / AV505)		up to 200 bar / 2900 psig (AV520 / AV525)	
		[mm]	[inch]	[mm]	[inch]
Absolute length	<b>[L<sub>abs</sub>]</b>	190	7 1/2	203	8
Connection dimension	<b>[L<sub>A</sub>]</b>	143	5 5/8	143	5 5/8
Width	<b>[B]</b>	102	4	122	4 4/5
Handwheel diameter	<b>[Ø<sub>H</sub>]</b>	80	3 1/7	110	4 1/3

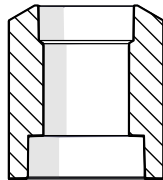
## Available dimensions

Type	Process connection	Drain connection	L <sub>A</sub>		Article-No.
			[mm]	[inch]	
AV500	G 1/2"	Cutting ring screw connection DS12	143	5 5/8	40-01803
		Cutting ring screw connection DS10	-	-	40-10346
AV520	G 1/2"	Cutting ring screw connection DS12	143	5 5/8	40-01845
	G 7/8"		-	-	40-01859
	G 1/2"	Welding end Ø21,3 x 3,2	-	-	40-11108

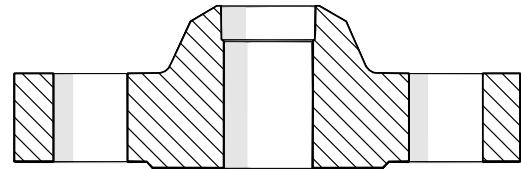
## Available connections



Welding end



Socket welding



Flange

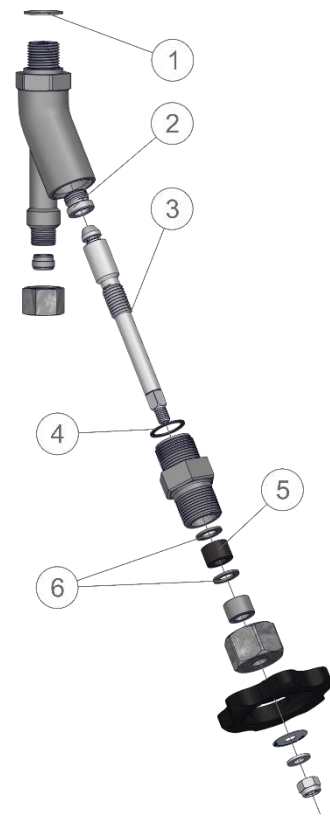
## Optional versions

Stainless steel housing	
<p>Ex.: AV505</p>	<p>Ex.: AV525</p>

Type	Process connection	Drain connection	L <sub>A</sub>		Article-No.
			[mm]	[inch]	
AV505	G 1/2"	Cutting ring screw connection DS12	143	5 5/8	40-01842
AV525	G 1/2"				40-01846

## Spare parts

Pos.	Article	Quantity	Article-No.
1	Sealing ring ø 21 x 26 x 1,5 mm	1	40-00099
2	Seat	1	40-01864
3	Spindle with cone	1	40-01866
4	Sealing ring ø 24 x ø 19,5 x 1	1	40-01873
5	Packing set	1	40-01867
6	Scraper rings	2	40-02360
2,3,4	Spare parts package for spindle replacement	1	15-18967
5,6	Spare parts package for Packing change	1	15-18968



## Digital documentation



*Direct download*



*Product page on the Internet*

### Igema GmbH

Antwerpener Str. 1  
48163 Muenster  
Germany

www.igema.com

Telephone: +49 25 01 924 24 0

Telefax: +49 25 01 924 24 99

info@igema.com

