



Drain valve

AV560 and AV570

Application and function

The drain valves are used on pressure vessels and steam boilers to drain or vent the attached pressurised equipment. The range of applications covers the entire product range of level indicators and other pressurised components with a drain connection.

The valves can either be closed or opened by turning the handwheel.

Technical basic equipment

- Inlet side: male thread G 1/2 "
- Outlet side: Weld-on end or flange
- Valve body of AV560 and AV570 made of pressure vessel steel according to DIN and ASME
- Valve inner parts made of stainless steel
- Steel handwheel Ø80mm (up to PS = 32 bar)
- Aluminium handwheel Ø110mm (up to PS = 200 bar)

Optional versions

- Customer specific inlet and outlet connections
- Valve body for AV565 and AV575 made of stainless steel according to DIN or ASME
- Valve body tested according to EN 10204 - 3.1



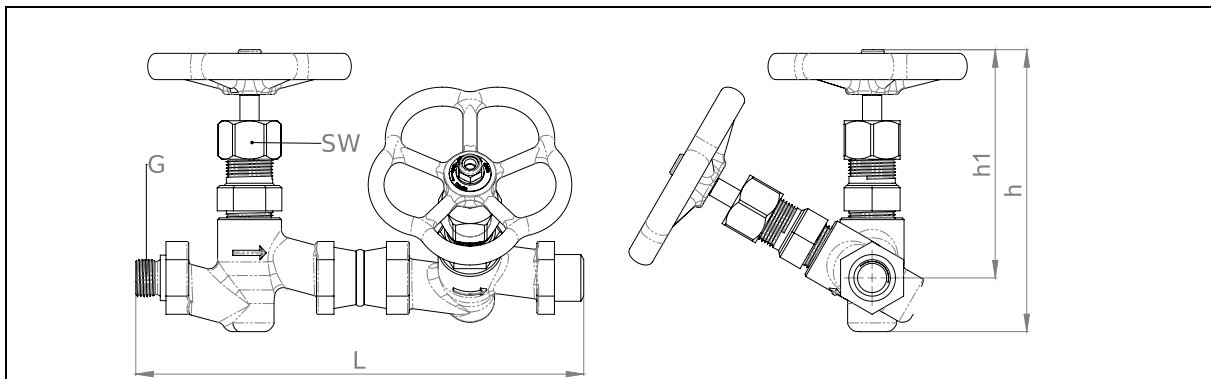
AV570
Inlet G 1/2" Outlet AE 26,9 x 5

Technical data

Operating limits AV560/ AV565	perm. pressure [PS]	perm. temperature [TS]
	32 bar 464 psig	239 °C 462 °F

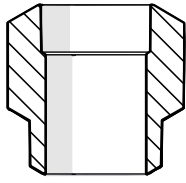
Operating limits AV570/ AV575	perm. pressure [PS]	perm. temperature [TS]
	200 bar 2900 psig	367 °C 690 °F

Dimensions and sizes

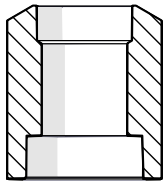


		up to 32 bar / 464 psig (AV560 / AV565)		up to 200 bar / 2900 psig (AV570 / AV575)	
		[mm]	[inch]	[mm]	[inch]
Connection thread	[G]	G 1/2" BSP			
Handwheel diameter	[D2]	80	3 1/7	110	4 1/3
Height	[h]	~160	6 2/7	~160	6 2/7
Connection height	[h1]	~130	5 1/8	~130	5 1/8
Width across flats	[SW]	32	1 1/4	32	1 1/4
Total length	[L]	~256	~10	~256	~10

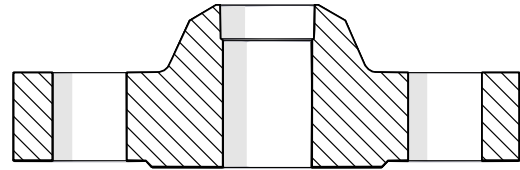
Available connections



Welding end



Socket welding



Flange

Optional versions

Stainless steel housing

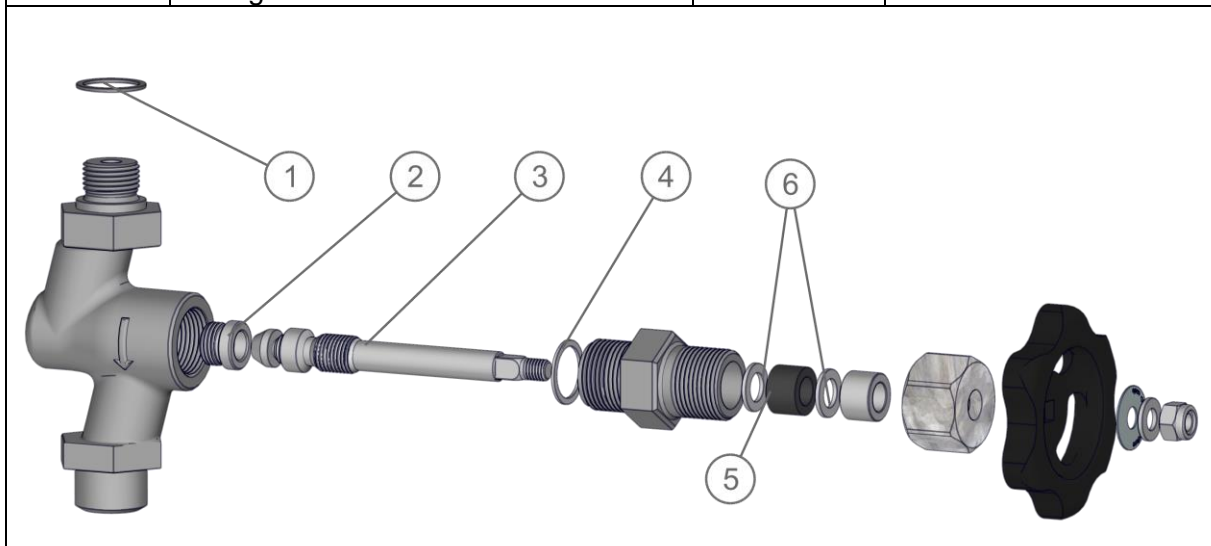


Ex.: AV575

Spare parts

The valves of types AV560, AV565, AV570 and AV575 consist of two connected valves of types AV540, AV545, AV550 or AV555. The spare parts list for these valve types can therefore be used for ordering spare parts.

Pos.	Description	Quantity	Article-No.
1	Sealing ring \varnothing 21 x 26 x 1,5 mm	1	40-00099
2	Seat	1	40-01953
3	Spindle with cone	1	40-04135
4	Sealing ring \varnothing 24 x \varnothing 20 x 1,5mm	1	40-01873
5	Packing	1	40-01867
6	Scraper rings	2	40-02360
2,3,4	Spare parts package for spindle replacement	1	15-18977
5,6	Spare parts package for packing change	1	15-18968



Digital documentation



Direct download



Product page on the Internet

Igema GmbH

Antwerpener Str. 1
48163 Muenster
Germany

www.igema.com

Telephone: +49 2501 924 24 0
Telefax: +49 2501 924 24 99
info@igema.com

