



Drain valve

AV580, AV585

Application and function

The drain valves are used on pressure vessels and steam boilers to drain or vent the attached pressurised equipment. The range of applications covers the entire product range of level indicators and other pressurised components with a drain connection.

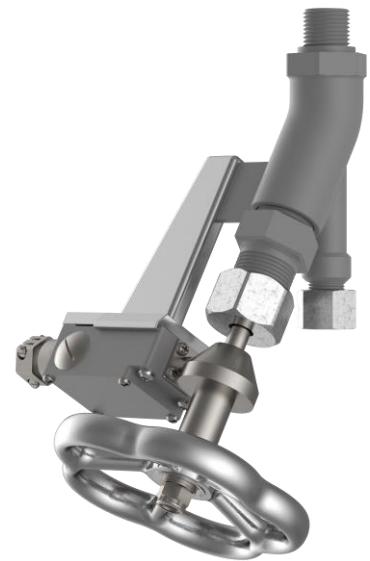
The valves can either be closed or opened by turning the handwheel.

Technical basic equipment

- Inlet side: external thread G ½"
- Outlet side: cutting ring fitting ø 12 mm (DIN 2353-DS12)
- Cable gland M16x1.5 according to DIN46320
- Valve body made of pressure vessel steel according to DIN or ASME
- Valve inner parts made of stainless steel
- Steel handwheel up to PS = 32 bar / aluminium handwheel up to PS = 200 bar

Optional versions

- Stainless steel valve body
- Switch position rotated by 90
- As a double shut-off valve - two valves arranged one above the other.



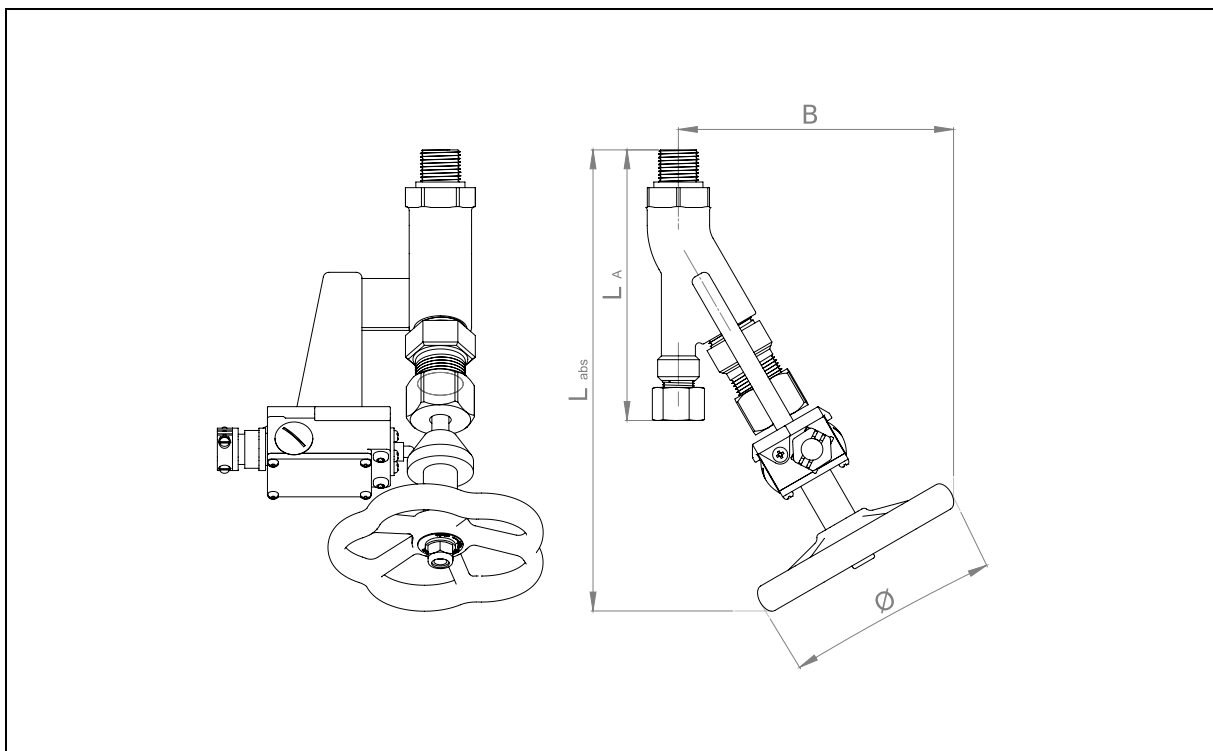
AV580

Technical data

Operating limits AV580	perm. pressure [PS]	perm. temperature [TS]
	32 bar 464 psig	239 °C 462 °F

Operating limits AV585	perm. pressure [PS]	perm. temperature [TS]
	200 bar 2900 psig	366 °C 690 °F

Dimensions and sizes



		AV580		AV585	
		[mm]	[inch]	[mm]	[inch]
Absolute length	[L _{abs}]	~240	9 ⁴ / ₉	~240	9 ⁴ / ₉
Connection dimension	[L _A]	143	5 ⁵ / ₈	143	5 ⁵ / ₈
Width	[B]	~145	5 ⁵ / ₇	~145	5 ⁵ / ₇
Handwheel diameter	[Ø _H]	80	3 ¹ / ₇	110	4 ¹ / ₃

Basic equipment

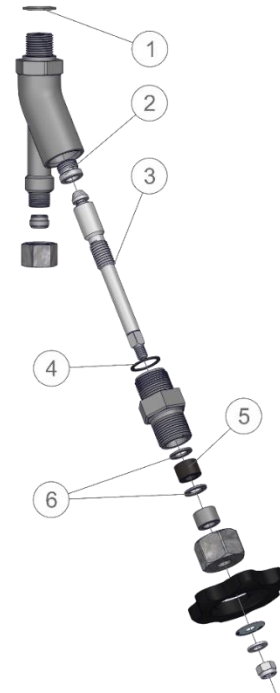
- Powder-coated die-cast aluminium housing
- Snap action, changeover contact with double break
- Cable gland with clamping jaws M16x1.5mm, nickel-plated
- Plunger actuator with embedded stainless steel ball



Protection class according to IEC/EN 60529	IP65
Switching elements	1 NC contact, 1 NO contact
Connection cross-section	max. 2,5mm ²
Utilisation category	AC-15
Rated operating current/voltage [I_e/U_e]	6A / 400 VAC
Short-circuit protection	6A gG / gN- Fuse
Mechanical life span	>1 Million Switching cycles
Switching frequency	max 3600/h
Ambient temperature	-20°C < T _{amb} < +80°C
Switching point accuracy with repeated switching	± 0,1mm

Spare parts

Pos.	Descriptions	Quantity	Article-No.
1	Sealing ring ø 21 x 26 x 1,5 mm	1	40-00099
2	Seat	1	40-01864
3	Spindle with cone	1	40-01866
4	Sealing ring ø 24 x ø 19,5 x 1	1	40-01873
5	Packing set	1	40-01867
6	Scraper rings	2	40-02360
2,3,4	Spare parts package for spindle replacement	1	15-18967
5,6	Spare parts package for Packing change	1	15-18968
n.d.	Position switch	1	on request



Bsp.: AV500

The drain valve types AV580 and AV585 are valves of the types AV500, AV505, AV520 or AV525 with modified valve spindle and welded-on bracket with attached position switch. The attached bracket is not available as an individual spare part.

Digital documentation



Direct download



Product page on the Internet

Igema GmbH

Antwerpener Str. 1
48163 Muenster
Germany

www.igema.com

Telephone: +49 25 01 924 24 0
Telefax: +49 25 01 924 24 99
info@igema.com

