



Blow-through valves

WA4, WA5 and WA6

Application and function

Blow-through valves are used to facilitate the separate blowing through of the connecting lines between the tank and the level limiter.

The flow is briefly shut off by actuating the hand lever. When the lever is released, the valve opens again by spring force. The intermittent flow of the medium then cleans the pipe.

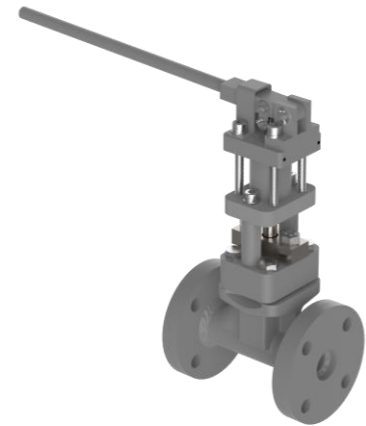
Attached limit switches detect the lever position and can be implemented in safety-related control systems.

Technical basic equipment

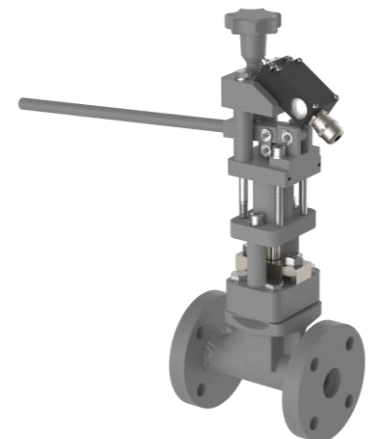
- Process connection: PN40, DN 20/25 to EN 1092-1
- Limit switch for WA4 and WA6:
 - 1 NC contact, 1 NO contact, snap-action contact
 - Switching capacity: continuous current 6A, 235V

Optional versions

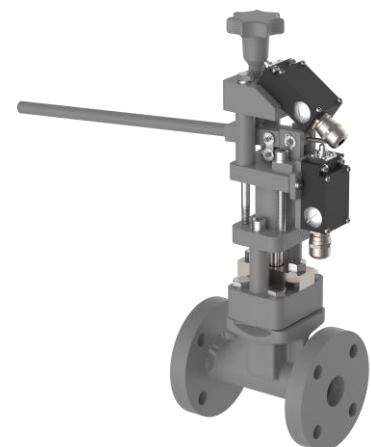
- Customised process connections according to DIN or ANSI
- Hand lever can be rotated through 90



WA5



WA4

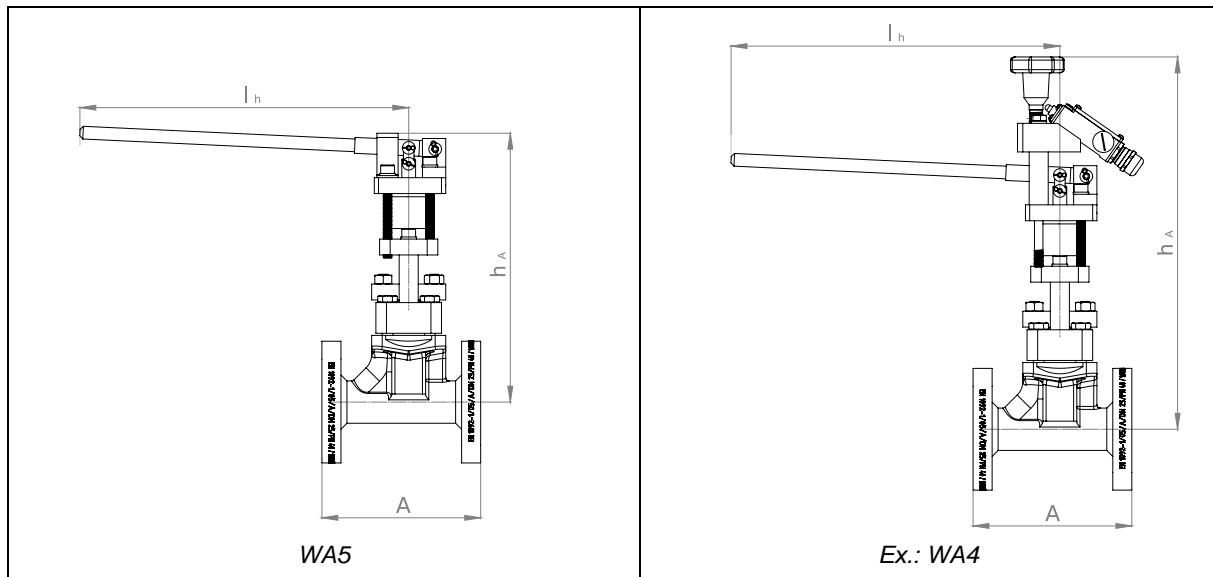


WA6

Technical data

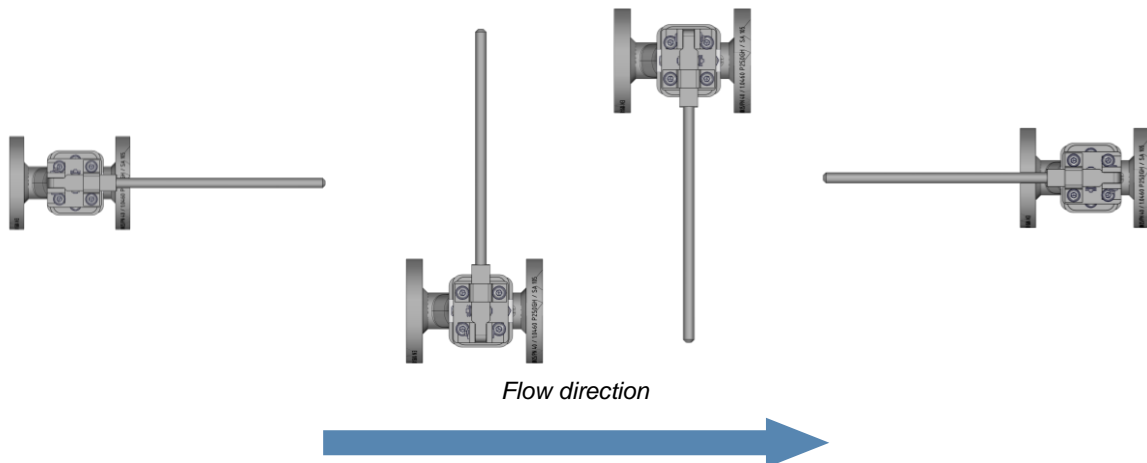
Operating limits WA4, WA5, WA6	perm. pressure [PS]	perm. temperature [TS]
	32 bar 464 psig	239 °C 462 °F

Dimensions and sizes



		WA5		WA4 / WA6	
		[mm]	[inch]	[mm]	[inch]
Connection dimension	[A]	150	6	150	6
Connection height	[h _A]	254	10	350	13 7/9
Hand lever length	[l _h]	310	12 1/5	310	12 1/5

Possible hand lever orientations



Position switch

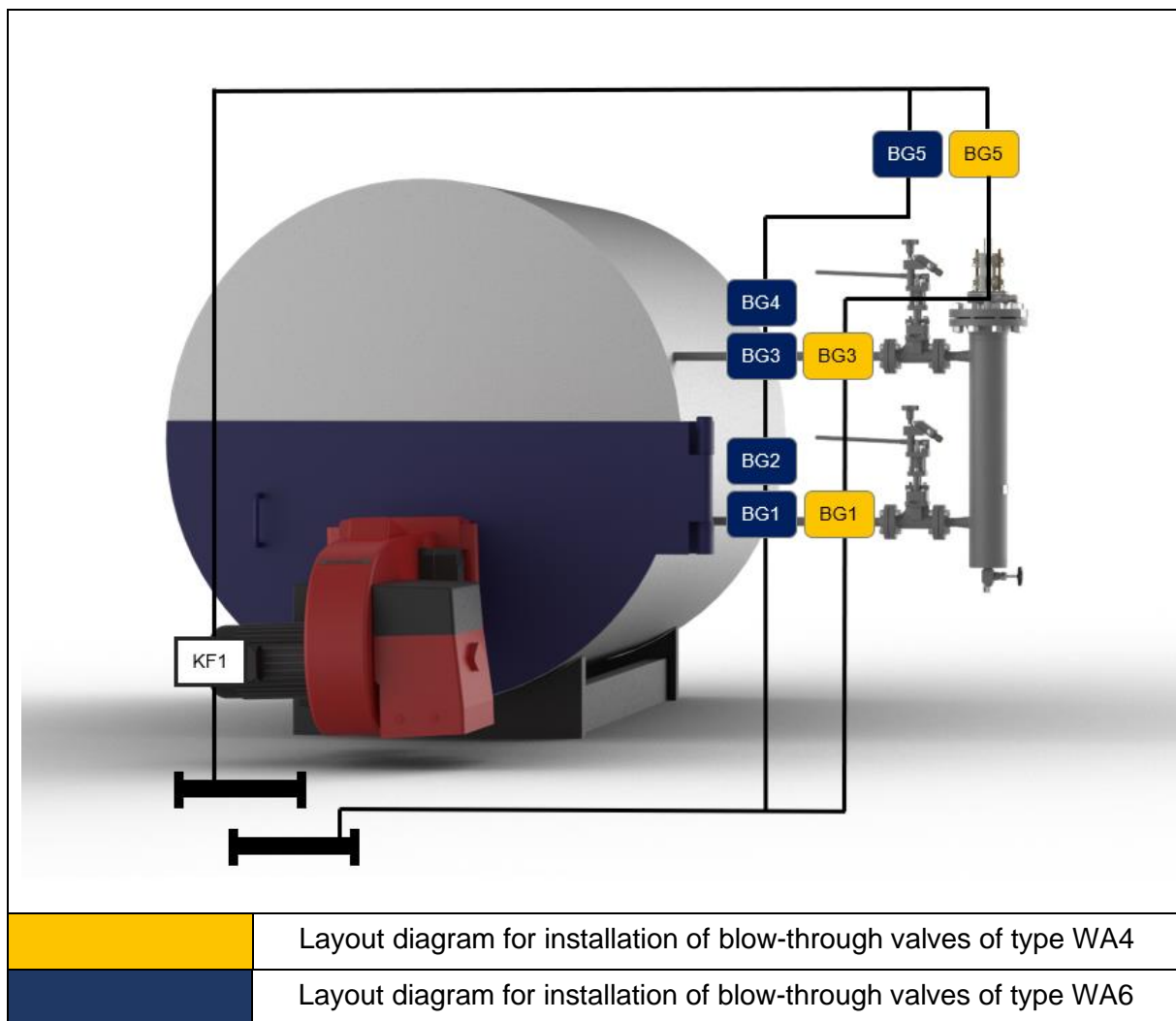
With type WA4 and WA6 blow-through valves, position switches determine the position of the lever and can transmit a corresponding signal to a downstream control system, for example to switch off the firing of a steam boiler for safety reasons.

- Powder-coated die-cast aluminium housing
- Snap action, changeover contact with double break
- Cable gland with clamping jaws M16x1.5mm, nickel-plated
- Plunger actuator with embedded stainless steel ball

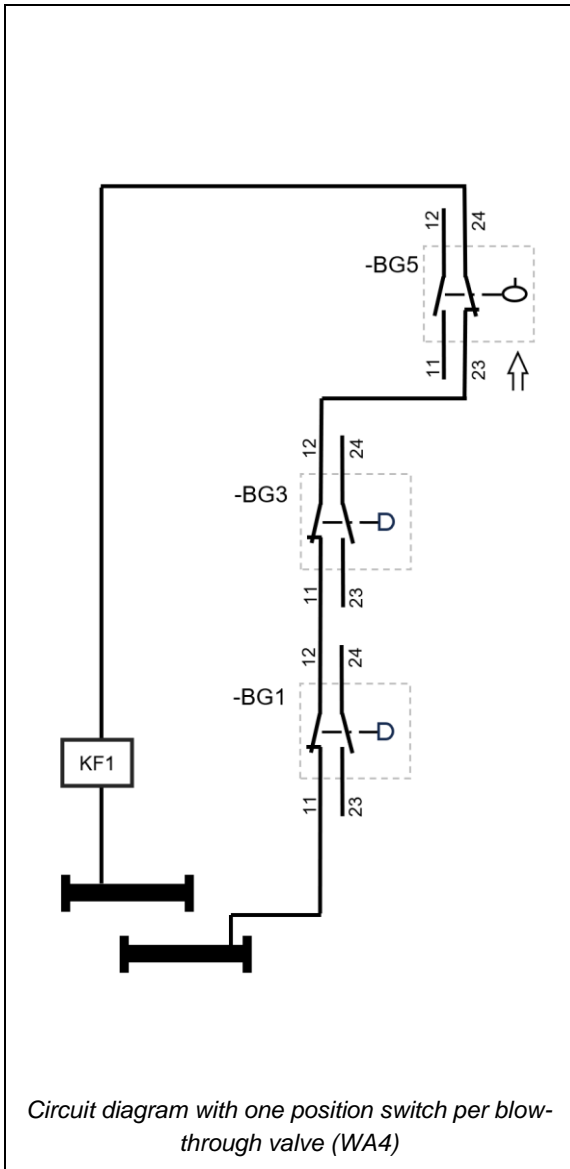


Protection type according to IEC/EN 60529	IP65
Switching elements	1 NC contact, 1 NO contact
Connection cross-section	max. 2,5mm ²
Utilisation category	AC-15
Rated operating current/voltage [I_e / U_e]	6A / 400 VAC
Short-circuit protection	6A gG / gN- Fuse
Mechanical service life	>1 Million switching cycles
Switching frequency	max 3600/h
Ambient temperature	-20°C < T _{amb} < +80°C
Switching point accuracy with repeated switching	± 0,1mm

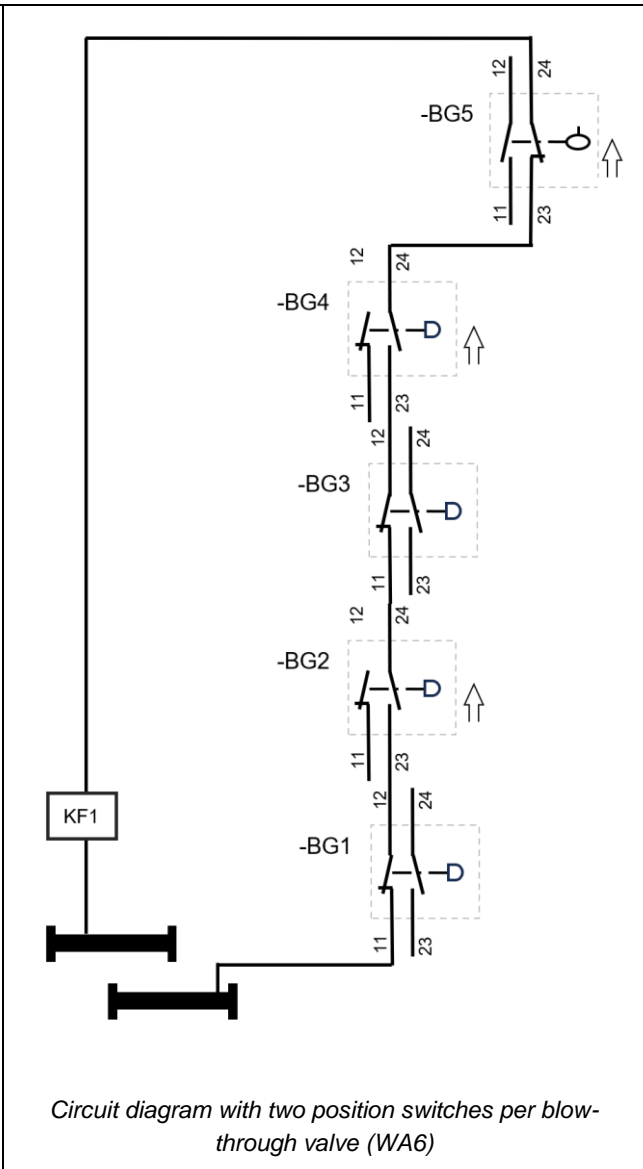
Functional diagram with position and float switches



Code letter	Description
BG1	Position switch on locking screw
BG2	Position switch on hand lever (only for WA6)
BG3	Position switch on locking screw
BG4	Position switch on hand lever (only for WA6)
BG5	Low water level magnetic lock switch M130-KG
KF1	e.g. relay for controlling the boiler firing system



Circuit diagram with one position switch per blow-through valve (WA4)



Circuit diagram with two position switches per blow-through valve (WA6)

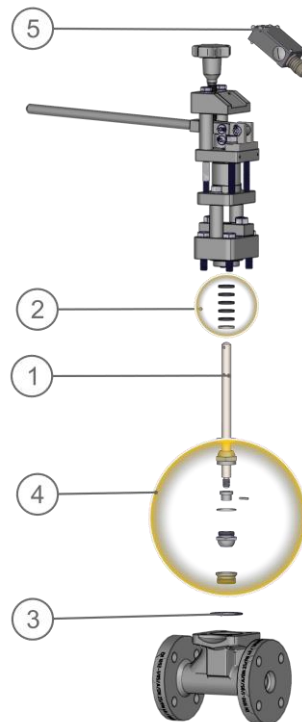
Other customised components installed in the circuit diagram are not listed in this functional diagram.

Spare parts

Pos.	Description	Article-No.	Quantity
1	Spindle	25-00558	1
2	Stuffing box packing	15-00361	1
3	Sealing ring Ø44,5 x Ø35 x 1,5mm	40-00161	1
4	Valve cone set	15-00147	1 ^{*1}
5	Position switch	25-00297	*2

*1 Set consisting of valve seat, cone, back-sealing cone and sealing ring.

*2 Valve type WA4 without solenoid switch, WA5 with one solenoid switch, WA6 with two solenoid switches.



Digital documentation



Direct download



Product page on the Internet

Igema GmbH

Antwerpener Str. 1
48163 Muenster
Germany

www.igema.com

Telephone: +49 25 01 924 24 0
Telefax: +49 25 01 924 24 99
info@igema.com

