

Type DKH

High-pressure / high-temperature steam cooler for extreme conditions



> Type DKH, front view



> Type DKH, sectional view

Product features

- Special design for higher pressures and higher temperatures
- The DKH injection cooler works like the DKV type, with controlled nozzle technology (pressure atomization via controlled nozzle technology)
- Spray head with integrated high-performance nozzles and excellent atomization
- No additional control valve required
- Selectable control characteristics for precise temperature control
- Tightly closing metallic seat
- Large permissible water vapor pressure difference Δp up to 100 bar / 1450 PSI
- High control accuracy over the entire control range
- High operational reliability by using simple components, minimal wear and tear
- Excellent control accuracy over the entire control range
- Special materials available

Applications

For the special demands placed on temperature control in power plants and in the process industry

Type DKH

High-pressure / high-temperature steam cooler for extreme conditions

Technical data

| | |
|------------------------------------|---|
| Nominal diameter | DN 150–1200 / NPS 6–48 |
| Pressure class | PN 250–400 / Class 1500–2500 |
| Temperature range | 650 °C / 1200 °F |
| Housing material | 1.0460 / A105 1.5415 1.7335 / A182F12Cl.2 1.7383 / A182F22Cl.3 1.4903 / A182F91 |
| Housing type | Forged |
| Media | Superheated steam, gas |
| Flanges | EN 1092-1, ASME B16.5, ISO 7005, JIS, JPI |
| Actuators | Electric, pneumatic, hydraulic, handwheel (for manual operation) |
| Number of stages (max.) | 1 |
| Number of controlled stages (max.) | 1 |
| Operating range (max.) | 1:100 (water) |

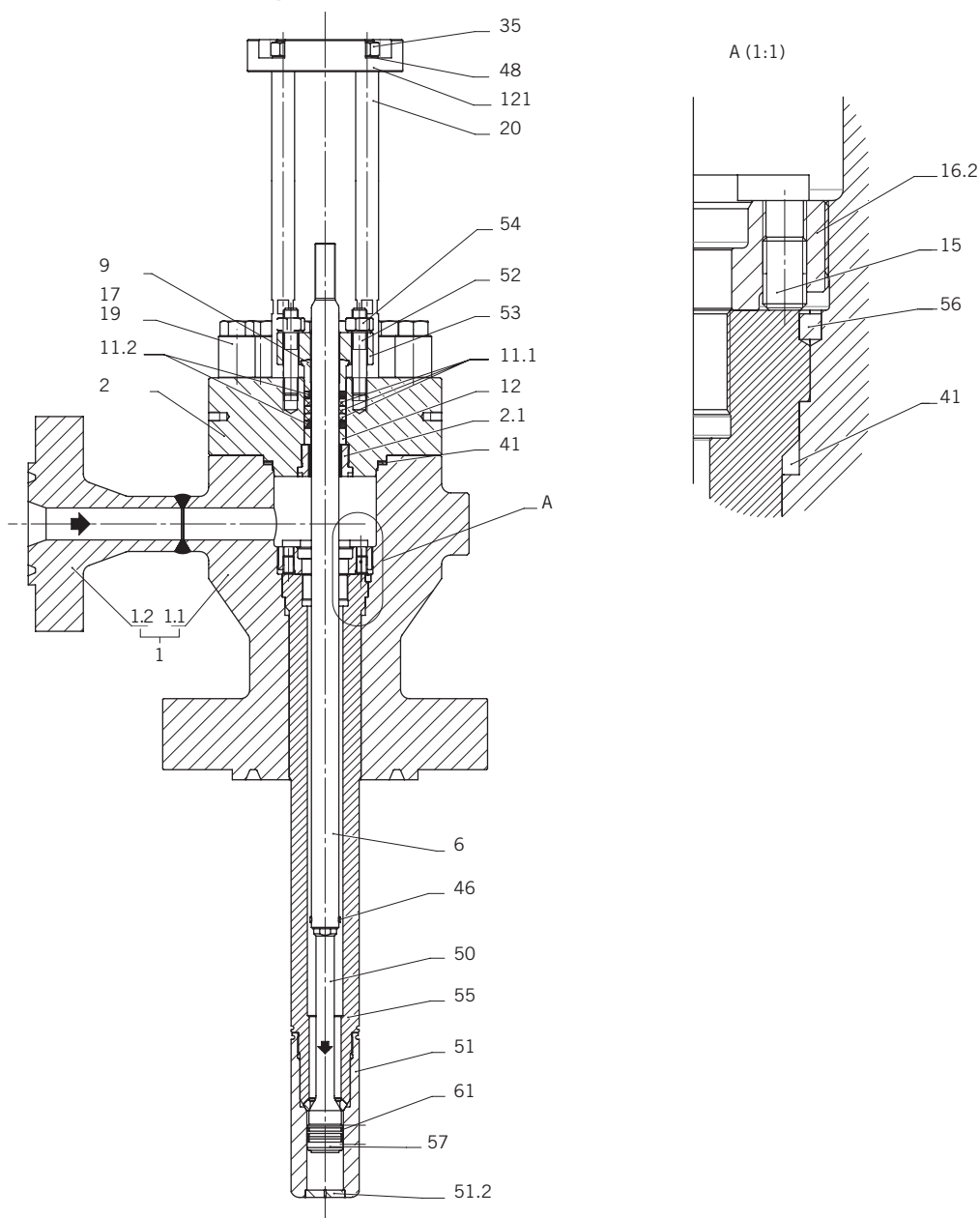
Function

see chapter DKV (Page 69)

Type DKH

High-pressure / high-temperature steam cooler for extreme conditions

Sectional drawing



Type DKH

High-pressure / high-temperature steam cooler for extreme conditions

Parts list

| Pos. | Item | Material |
|------|------------------|---------------|
| 1 | Housing cpl. | * |
| 1.1 | Housing | * |
| 1.2 | Flange | * |
| 2 | Cap | * |
| 2.1 | Bushing | * |
| 3 | Cap gasket | Grafit |
| 6 | Valve spindle | 1.4057 |
| 9 | Packing follower | 1.4122 |
| 11.1 | Packing | Grafit |
| 11.2 | Packing | Grafit |
| 15 | Threaded pin | A2 |
| 17 | Capped nut | ** |
| 19 | Stud bolt | ** |
| 20 | Spacer bolt | ** |
| 35 | Hexagon nut | 8 |
| 41 | Spiral gasket | 1.4541/Grafit |
| 46 | Pin | 1.4301 |
| 48 | Lock washer | 1.1211 |
| 50 | Control piston | 1.4122 |
| 51 | Spray head | 1.4006 |
| 51.2 | Ground plate | 1.4006 |
| 52 | Stud bolt | ** |
| 53 | Gland plate | * |
| 54 | Hexagon nut | ** |
| 55 | Lance | * |
| 56 | Pin | 1.4122 |
| 57 | Spray nozzle | ** |
| 61 | Piston ring | ** |
| 121 | Plate | 1.0460 |

* See table "Technical data"

** Depending on customer requirements

Parts list as an example of the standard configuration

Type DKH

High-pressure / high-temperature steam cooler for extreme conditions

Dimensions

