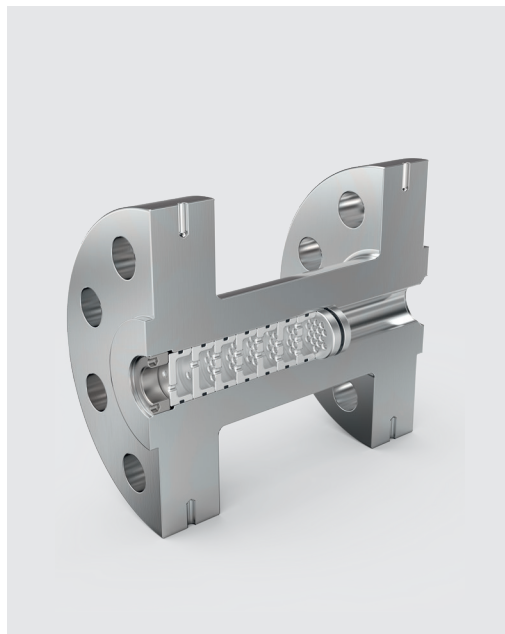


Type GD

Particularly robust single- or multi-stage throttle with axially arranged perforated orifice



> Type GD, front view



> Type GD, sectional view

Product features

- Cavitation free single- or multi-stage-layer perforated orifice for reducing pressure
- Interchangeable internal parts
- Wear-free
- Designed for extreme high pressure applications and to prevent cavitation damages
- The orifice plate throttels are extremely robust and thus enable the use of complete water mixtures and other media

Applications

- Power and process industry
- Offshore applications
- Also suitable as pump protection for pressure reduction of the minimum flow

Type GD

Particularly robust single- or multi-stage throttle with axially arranged perforated orifice

Technical data

Nominal diameter	DN 25 – 200 / NPS 1 – 8
Pressure class	PN 100 – 640 / Class 150 – 4500
Temperature (max.)	Up to 230 °C / 446 °F (or on request)
Housing material	1.0460 / A105 1.5415 1.7335 / A182F12Cl.2 1.7383 / A182F22Cl.3 1.4903 / A182F91 1.6368 1.4404 / A182F316L
Housing type	Forged
Medium	Water, water mixtures
Flanges	EN 1092-1, ASME B16.5, ISO 7005, JIS, JPL, welding ends on request
Designs	Globe type
Number of stages (max.)	12
Number of controlled stages (max.)	0
Operating range (max.)	1:1

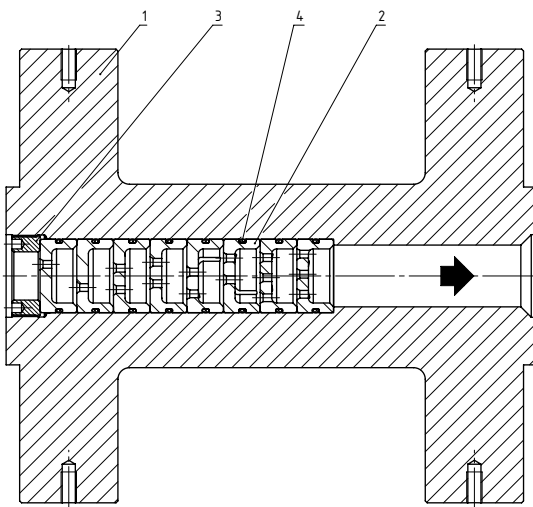
Function

The GD throttle reduces the pressure over axially arranged perforated orifice with different cross-sectional constrictions. As a result, the pressure reduction without cavitation risk take place step by step.

Type GD

Particularly robust single- or multi-stage throttle with axially arranged perforated orifice

Sectional drawing (multi-stage)



Parts list (multi-stage)

Pos.	Item	Material
1	Housing	*
2	Orifice	1.4122
3	Ring	1.4122
4	O-Ring	**

* See table "Technical data"

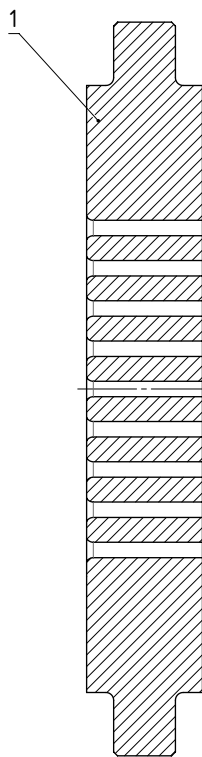
** Depending on customer requirements

Parts list as an example of the standard configuration

Type GD

Particularly robust single- or multi-stage throttle with axially arranged perforated orifice

Sectional drawing (single-stage)



Parts list (multi-stage)

Pos.	Item	Material
1	Orifice	1.4404

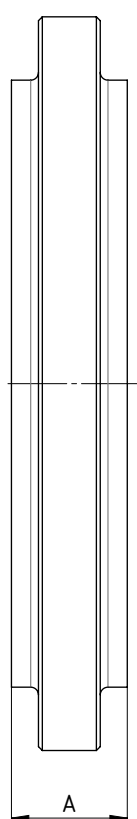
Parts list as an example of the standard configuration

Type GD

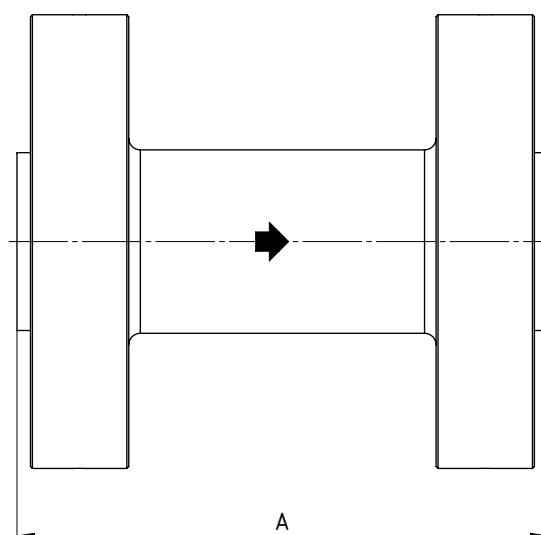
Particularly robust single- or multi-stage throttle with axially arranged perforated orifice

Dimensions (throttle)

Nominal diameter		Measures A (mm)		
DN	NPS	single-stage	multi-stages up to 8	multi-stages up to 12
25	1	20	200	200
32	1,25		200	200
40	1,5		250	350
50	2		250	350
65	2,5		250	350
80	3		350	500
100	4		350	500
125	5		350	500
150	6		500	700
200	8		500	700



single-stage



multi-stage